



Product designation

MINIATURE
RELAYS
HR501C

Product type designation

Contact characteristics

| | | | |
|--|----|--|-------|
| Contact configuration | | | 1 C/O |
| Rated insulation voltage U_i IEC/EN | V | | 250 |
| Rated impulse withstand voltage U_{imp} | kV | | 6 |
| IEC Conventional free air thermal current I_{th} | A | | 16 |
| Maximum instantaneous current | A | | 20 |
| Rated current (I_n) | A | | 16 |
| Relay control voltage | V | | 12VDC |

Max contrrollable power in

| | | |
|-------|----|------|
| AC-1 | W | 4000 |
| AC-15 | VA | 150 |

Rated operating power AC-1

| | |
|----|------|
| VA | 4000 |
|----|------|

Rated operating power AC-15

| | | |
|---------|----|-----|
| 230 VAC | VA | 150 |
|---------|----|-----|

Single-phase motor control

| | | |
|--------|----|-----|
| 230VAC | kW | 0.1 |
|--------|----|-----|

Rated operating current DC-1

| | | |
|------|---|-----|
| 30V | A | 12 |
| 110V | A | 0.3 |
| 220V | A | 0.1 |

Minimum switching load

| | |
|--------|---------|
| V / mA | 5 / 100 |
|--------|---------|

Contact impedance

| | |
|----|-----|
| mO | 100 |
|----|-----|

Contact material

Ag/Ni

Operating times

Closing ms <15

Opening ms <15

Operations

Mechanical life cycles 10000000

Electrical life AC1 cycles 30000

Coil characteristics

Average coil consumption AC at 20°C VA 1

Average coil consumption DC at 20°C W 0.4

Operating range

| | | |
|---------|---------|----------|
| Closing | % U_n | 75...110 |
| Opening | % U_n | 10...30 |

Maximum cycle frequency

| | |
|----------|------|
| cycles/h | 3600 |
|----------|------|

Mechanical features

Max socket terminal tightening torque Nm 0.6

Socket screw tightening tool (cross / flat blade) PH1 / 4.5mm

Conductor section

AWG/Kcmil

| | | | |
|--------------------|---------------------------------|-----------------|-----|
| | min | 20 | |
| | max | 14 | |
| IEC | min | mm ² | 0.5 |
| | max | mm ² | 2.5 |
| Operating position | normal | Any | |
| Fixing | On 35mm DIN rail and with screw | | |

Ambient conditions

Temperature

Operating temperature

| | | |
|-----|----|-----|
| min | °C | -40 |
| max | °C | +70 |

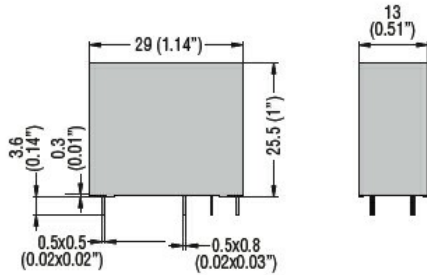
Storage temperature

| | | |
|-----|----|-----|
| min | °C | -40 |
| max | °C | +85 |

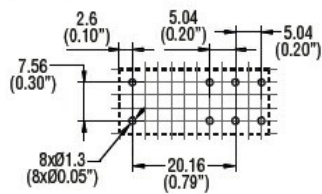
Other features

| | |
|---------------------------------------|-----|
| Indication | Yes |
| Mechanical contact position indicator | Yes |
| Mechanical test actuator | Yes |

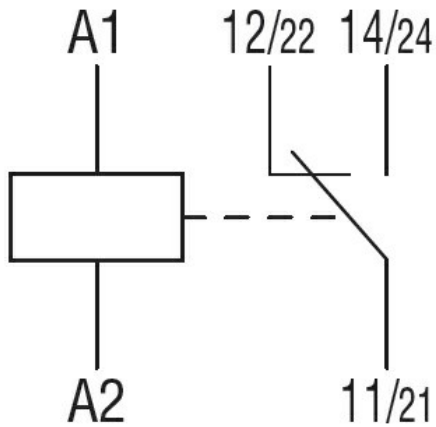
Dimensions



PCB layout



Wiring diagrams



Certifications and compliance

Compliance

IEC/EN 61810

Certificates

CSA

cURus

EAC

VDE

ETIM classification

ETIM 8.0

EC001437 -
 Switching relay